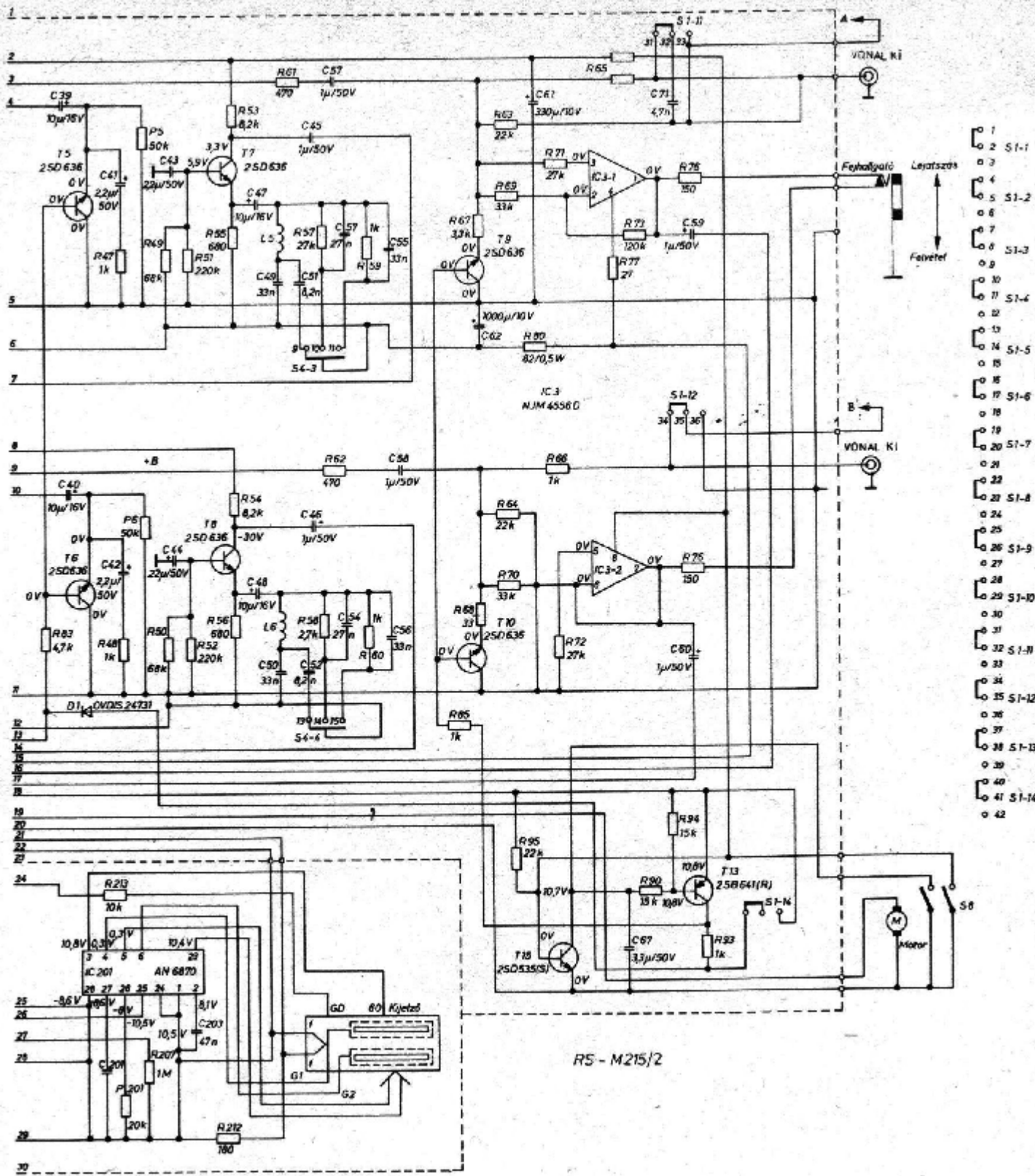


RS-M215/1



RS - M215/2